

Combined Lightning Current and Surge Arrester

ProTec ZP T1H 3+0

Class I • Class II • Type 1 • Type 2



Location of Use: Main Distribution Boards,
40mm Busbar Systems

Network Systems: TN-C

Mode of Protection: L-PEN

Surge Ratings: $I_{imp} = 12.5\text{ kA (10/350}\mu\text{s)}$
 $I_n = 20\text{ kA (8/20}\mu\text{s)}$

IEC/EN: Class I+II / Type 1+2

Technology: Hybrid

Leakage Current: No

Line Follow Current: No

Housing: Compact design

Compliance: IEC 61643-11:2011
EN 61643-11:2012

Technical Data

ProTec ZP T1H-xxx-3+0-R

300

IEC Electrical

Nominal AC Voltage (50/60Hz)	U_o/U_n	240 V
Maximum Continuous Operating Voltage (AC)	U_c	300 V
Nominal Discharge Current (8/20 μs)	I_n	20 kA
Maximum Discharge Current (8/20 μs)	I_{max}	50 kA
Impulse Discharge Current (10/350 μs)	I_{imp}	12.5 kA
Specific Energy	W/R	39 kJ/ Ω
Charge	Q	6.25As
Voltage Protection Level	U_p	1500V
Response Time	t_A	< 100ns
Back-Up Fuse (max)		160 A gG
Short-Circuit Current Rating (AC)	I_{SCCR}	25 kA
TOV Withstand 120min	U_T	442 V
Number of Ports		1

Mechanical & Environmental

Operating Temperature Range	T_a	-40 °F to +185 °F [-40 °C to +85 °C]
Permissible Operating Humidity	RH	5%...95%
Altitude		13123 ft [4000m]
Terminal Screw Torque	M_{max}	PZ1 / 13.3 lbf-in [1.5Nm] PZ2 / 39.9 lbf-in [4.5Nm]
Conductor Cross Section (max)		35mm ² (Solid, Stranded) / 25mm ² (Flexible) 2 AWG (Solid, Stranded) / 4 AWG (Flexible)
Mounting		40mm Busbar Systems
Degree Of Protection		IP 20*
Housing Material		Thermoplastic: Extinguishing Degree UL 94 V-0
Operating State / Fault Indication		Green Flag / Not Green Flag
Remote Contacts (RC)		Optional
RC Switching Capacity		AC: 250V/ 1A, 125V/ 1A; DC: 48V/0.5A, 24V/0.5A, 12V/0.5A
RC Conductor Cross Section (max)		1.5mm ² (Solid) / 16 AWG (Solid)

Order Information

Order Code	300
ProTec ZP T1H-xxx-3+0	59.0637
ProTec ZP T1H-xxx-3+0-R (with remote contacts)	59.0360

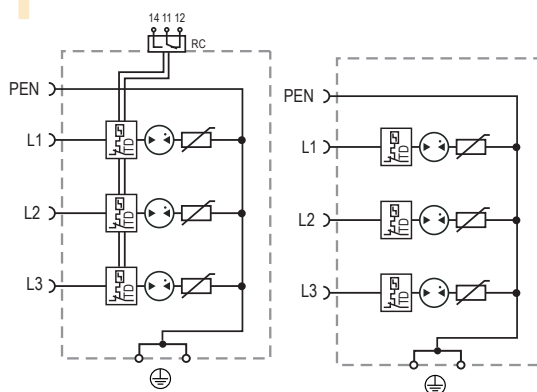
*IP 30 (in combination with cover)

ProTec ZP T1H 3+0

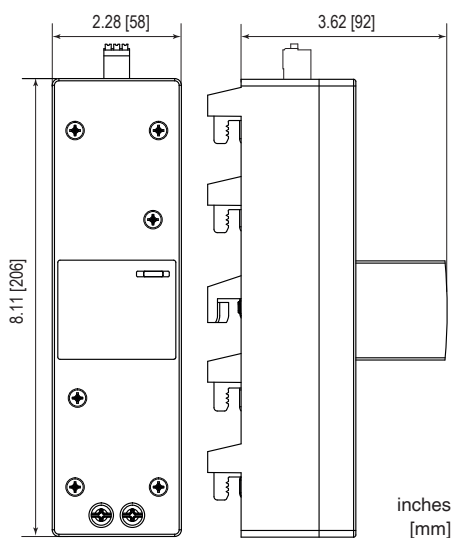
Internal Configuration

Legend

- L Terminal for Line Busbar
- PEN Terminal for PEN Busbar
- ⊕ Terminal for PE/G Busbar/Conductor
- RC Terminal for Remote Contacts (Optional)
- TD Thermal Disconnect



Dimensions & Packaging



Dimensions & Packaging

ProTec ZP T1H-xxx-3+0-R		300
Single Unit Weight	pounds [grams]	1.918 [870]
Packaging Dimensions (HxWxL)		2.9 x 4.5 x 8.6" [75 x 116 x 220 mm]
Standard Order Quantity		1 Unit

inches
[mm]

Information contained in this document is subject to change at any time without notice.

