

Compact Multi-Pole SPD for DC Systems

**ProBloc B 1000 DC**

**Class I • Class II • Type 1 • Type 2 • Type 2 CA**



Location of Use: DC Systems  
 Mode of Protection: (+) - G, (-) - G, (+) - (-)  
 Surge Ratings:  $I_{Total} = 12.5 \text{ kA (10/350}\mu\text{s)}$   
 $I_{Total} = 65 \text{ kA (8/20}\mu\text{s)}$   
 EN/UL Category: Class I+II / Type 1+2 / Type 2 CA  
 Protective Elements: High Energy MOV and GDT  
 Housing: Compact Design  
 Safety: Patented Rotary Disconnecter  
 Compliance: UL 1449, 4<sup>th</sup> Edition

**ProBloc B 1000 DC**

**IEC Electrical**

Nominal System DC Voltage	$U_n$	900 V
Maximum Continuous Operating DC Voltage	(+) - (-) $U_{CDC}$	1000 V
	(+/-) - G $U_{CDC}$	750 V
Nominal Discharge Current (8/20 $\mu\text{s}$ )	$I_n$	20 kA
Impulse Discharge Current (10/350 $\mu\text{s}$ )	$I_{imp}$	6.25kA
Specific Energy	W/R	9.77kJ/ $\Omega$
Charge	Q	3.125As
Total Discharge Current (10/350 $\mu\text{s}$ )	$I_{Total}$	12.5kA
Total Discharge Current (8/20 $\mu\text{s}$ )	$I_{Total}$	65kA
Voltage Protection Level	(+) - (-) $U_p$	4400 V
	(+/-) - G $U_p$	2300 V
Response Time	(+) - (-) $t_A$	< 25 ns
	(+/-) - G $t_A$	< 100 ns
Number of Ports		1

**UL Electrical**

Maximum Permitted DC Voltage	$V_{dcmcov}$	1000V
Voltage Protection Rating	(+) - (-) VPR	3000 V
	(+/-) - G VPR	2000 V
Nominal Discharge Current (8/20 $\mu\text{s}$ )	$I_n$	20 kA
Short-Circuit Current Rating	SCCR	50 kA

**Mechanical & Environmental**

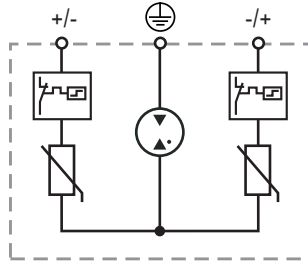
Operating Temperature Range	$T_a$	-40 °F to +185 °F [-40 °C to +85 °C]
Permissible Operating Humidity	RH	5%...95%
Terminal Screw Torque	$M_{max}$	26.5 lbf-in [3.0Nm]
Conductor Cross Section (max)		2 AWG (Solid, Stranded) / 4 AWG (Flexible)
		35 mm <sup>2</sup> (Solid, Stranded) / 25 mm <sup>2</sup> (Flexible)
Mounting		35 mm DIN Rail, EN 60715
Degree Of Protection		IP 20 (built-in)
Housing Material		Thermoplastic: Extinguishing Degree UL 94 V-0
Thermal Protection		Yes
Operating State / Fault Indication		Green Flag / Not Green Flag

**Order Information**

Order Code		
ProBloc B 1000 DC		56.0670

## ProBloc B 1000 DC

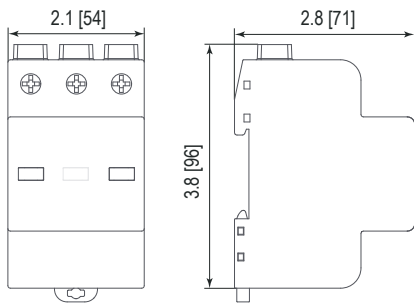
### Internal Configuration



### Legend

- ⊕ Main Earthing Terminal (equal to acronym G)

### Dimensions & Packaging



### Dimensions & Packaging

#### ProBloc B 1000 DC

Single Unit Weight	pounds [grams]	.934 [424]
Single Unit DIN 43880 Dimension		3 TE
Packaging Dimensions (H x W x L)		4.2 x 3 x 2.3" [109 x 77 x 60 mm]
Minimum Order Quantity		5 Units

inches  
[mm]

Information contained in this document is subject to change at any time without notice.

UL File No. E316468

