

Compact Multi-pole SPD MPE Mini & MPE Mini LED Class III • Type 3



Location of Use: Cable Ducts & Wiring Outlets
Network Systems: TN-S
Mode of Protection: L-PE, L-N, N-PE
IEC/EN Category: Class III / Type 3
Safety: Buzzer, LED
Housing: Compact Design
Compliance: IEC 61643-11:2011
 EN 61643-11:2012+A11:2018

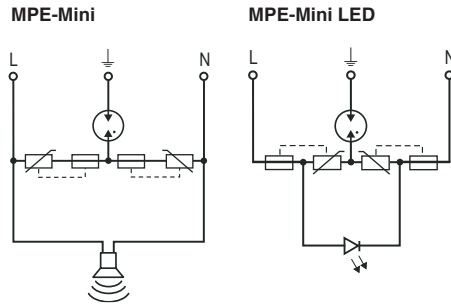
Technical Data

	MPE-Mini	MPE-Mini LED
IEC Electrical		
Nominal AC Voltage (50/60 Hz)	U_o	230V
Maximum Continuous Operating Voltage (AC)	U_c	275V
Open Circuit Voltage of the Combination Wave Generator (1.2/50 μ s)	U_{oc}	6kV
	(L+N-PE) $U_{oc\ total}$	10kV
Short-Circuit Current of the Combination Wave Generator (8/20 μ s)	I_{cw}	3kA
Voltage Protection Level	(L-N) U_p	1.5kV
	(L-PE)/(N-PE) U_p	1.7kV
Response Time	t_A	< 100 ns
Overcurrent Protection (max)		MCB/B 16 A
Short-Circuit Current Rating	I_{scCR}	1 kA
TOV Withstand 5s	U_T	337 V
Number of Ports		1
Additional Electrical Parameters (Tests performed within Raycap testing laboratory only)		
Overcurrent Protection (min)		MCB/B 16 A
Mechanical & Environmental		
Temperature Range	T_a	-40 °F to +185 °F [-40 °C to +85 °C]
Permissible Humidity	RH	5%...95%
Conductor Cross Section		17 AWG (Stranded) / 1.0 mm ² (Stranded)
Mounting		Cable Ducts
Degree of Protection		IP 20 (built-in)
Housing Material		Thermoplastic: Extinguishing Degree UL 94 V-0
Thermal Protection		Yes
Fault Indication		Buzzer LED

Internal Configuration

Legend

- L* Line Conductor
- N* Neutral Conductor
- ⊥ PE/G Conductor

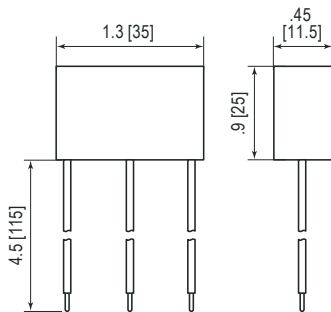


Order Information

Order Code	MPE-Mini	MPE-Mini LED
MPE-Mini	121 280	
MPE-Mini LED		121 282

Dimensions & Packaging

inches [mm]



Complete Unit

MPE-Mini & MPE-Mini LED

Weight	pounds [grams]	0.114 [52]
Packaging Dimensions (H x W x L)		12 x 4.5 x 3.2" [305 x 116 x 83 mm]
Standard Order Quantity		30 Units