

Overvoltage Protection
SafeTube T2 40 0+1
Class II • Type 2 • Type 1CA



Location of Use: Sub-Distribution Boards
 Network Systems: TT, TN-S
 Mode of Protection: N-PE
 IEC/EN/UL Category: Class II / Type 2 / Type 1CA,
 Housing: Pluggable Design
 Compliance: IEC 61643-11:2011
 EN 61643-11:2012+A11:2018
 UL 1449 5th Edition

Technical Data

SafeTube T2-xx 0+1(-R)

40

IEC Electrical

Maximum Continuous Operating Voltage	U_c	305V
Nominal Discharge Current (8/20 μ s)	I_n	40 kA
Maximum Discharge Current (8/20 μ s)	I_{max}	65 kA
Voltage Protection Level	U_p	1500V
Follow Current Interrupt Rating	I_{fi}	100 A
Response Time	t_A	< 100 ns
TOV Withstand 200ms	U_T	1200 V
Number of Ports		1

UL Electrical

Maximum Continuous Operating Voltage (AC)	MCOV	305V
Voltage Protection Rating(N)	VPR	1000V
Nominal Discharge Current (8/20 μ s)	I_n	20 kA

Additional Electrical Parameters (Tests performed within Raycap testing laboratory only)

Residual Voltage at 5 kA (8/20 μ s)	U_{res}	305V
---	-----------	------

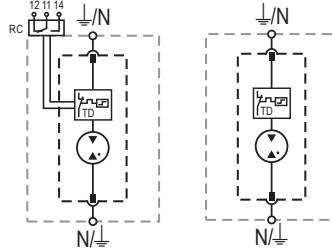
Mechanical & Environmental

Operating Temperature Range	T_a	-40 °F to +185 °F [-40 °C to +85 °C]
Permissible Operating Humidity	RH	5%...95%
Altitude (max)		13123 ft [4000m]
Terminal Screw Torque	M_{max}	40 lbf-in [4.5 Nm]
Conductor Cross Section (max)		2 AWG (Solid, Stranded) / 4 AWG (Flexible) 35 mm ² (Solid, Stranded) / 25 mm ² (Flexible)
Mounting		35 mm DIN Rail, EN 60715
Degree of Protection		IP 20 (built-in)
Housing Material		Thermoplastic: Extinguishing Degree UL 94 V-0
Thermal Protection		Yes
Operating State / Fault Indication		Green Flag / Not Green Flag
Remote Contacts (RC)		Optional
RC Switching Capacity		AC: 250V/1A, 125V/1A; DC: 48V/0.5A, 24V/0.5A, 12V/0.5A
RC Conductor Cross Section (max)		16 AWG (Solid) / 1.5 mm ² (Solid)

Internal Configuration

Legend

N	Neutral Conductor Terminal
⏏	PE/G Conductor Terminal
RC	Remote Contacts Terminal (Optional)
TC	Thermal Control Function
TD	Thermal Disconnect



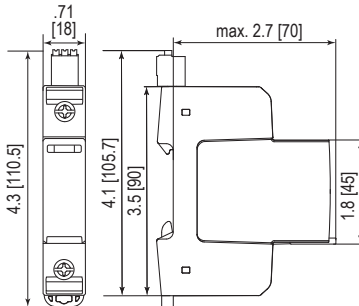
SafeTube T2-xx 0+1(-R)

Order Information

Order Code	40
SafeTube T2-xxx-0+1	59.0281
SafeTube T2-xxx-0+1-R (with remote contacts)	59.0337
SafeTube T2-40-P (plug)	59.0274

Dimensions & Packaging

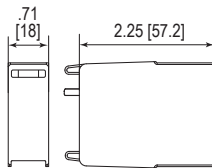
inches [mm]



Complete Unit

SafeTube T2-xxx-0+1	40
Weight	pounds .244
	grams 111
SafeTube T2-xxx-0+1-R	
Weight	pounds .259
	grams 118
DIN 43880 Dimension	1 TE / .71" [18]
Packaging Dimensions (HxWxL)	4.3 x 4.5 x 13.8" [109 x 115 x 352 mm]
Standard Order Quantity	12 Units

Spare Plug



Single Unit

SafeTube T2-40-P	40
Weight	pounds .093
	grams 42
DIN 43880 Dimension	1 TE / .71" [18]
Packaging Dimensions (HxWxL)	3.2 x 4.5 x 12" [83 x 116 x 305 mm]
Standard Order Quantity	24 Units

Connection Configurations can be found in QR Code link on intro page.

Raycap

www.raycap.com

RoHS COMPLIANT CE

© 2024 Raycap All rights reserved.
G29-00-411 240425