

Lightning and Overvoltage Protection
ProTube T1H 50 0+1
 Class I • Class II • Type 1 • Type 2 • Type 4CA



Location of Use: Main Distribution Boards
 Network Systems: TT, TN-S
 Mode of Protection: N-PE
 IEC/EN/UL Category: Class I+II / Type 1+2 / Type 4CA
 Housing: Pluggable Design
 Compliance: IEC 61643-11:2011
 EN 61643-11:2012+A11:2018
 UL 1449 5th Edition

Technical Data

ProTube T1H-xxx-0+1

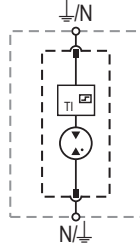
50

IEC Electrical		
Maximum Continuous Operating Voltage (AC)	U_c	305 V
Nominal Discharge Current (8/20 μ s)	I_n	50 kA
Maximum Discharge Current (8/20 μ s)	I_{max}	100 kA
Impulse Discharge Current (10/350 μ s)	I_{imp}	50 kA
Specific Energy	W/R	625 kJ/ Ω
Charge	Q	25 As
Voltage Protection Level	U_p	1500 V
Follow Current Interrupt Rating (AC)	I_{fi}	100 A
Response Time	t_A	< 100 ns
TOV Withstand 200ms	U_T	1200 V
Number of Ports		1
UL Electrical		
Maximum Continuous Operating Voltage (AC)	MCOV	305 V
Measured Limiting Voltage	MLV	1800 V
Nominal Discharge Current (8/20 μ s)	I_n	20 kA
Additional Electrical Parameters (Tests performed within Raycap testing laboratory only)		
Residual Voltage at 5 kA (8/20 μ s)	U_{res}	305 V
Mechanical & Environmental		
Operating Temperature Range	T_a	-40 °F to +185 °F [-40 °C to +85 °C]
Permissible Operating Humidity	RH	5%...95%
Altitude (max)		13123 ft [4000 m]
Terminal Screw Torque	M_{max}	40 lbf-in [4.5 Nm]
Conductor Cross Section (max)		2 AWG (Solid, Stranded) / 4 AWG (Flexible) 35 mm ² (Solid, Stranded) / 25 mm ² (Flexible)
Mounting		35 mm DIN Rail, EN 60715
Degree of Protection		IP 20 (built-in)
Housing Material		Thermoplastic: Extinguishing Degree UL 94 V-0
Thermal Protection		Yes
Operating State / Fault Indication		Green Flag / Not Green Flag

Internal Configuration

Legend

- N* Neutral Conductor Terminal
- \perp PE/G Conductor Terminal
- TI* Thermal Indication



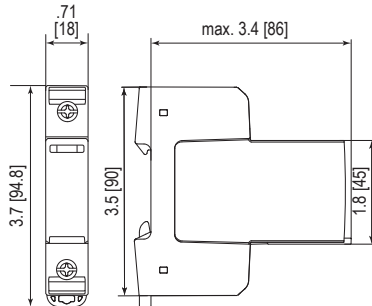
ProTube T1H-xxx-0+1

Order Information

Order Code	50
ProTube T1H-xxx-0+1	59.0340
ProTube T1H-50-P (plug)	59.0309

Dimensions & Packaging

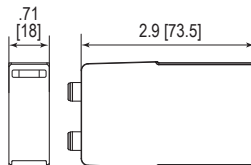
inches [mm]



Complete Unit

ProTube T1H-50-0+1	50	
Weight	pounds [grams]	.395 [179]
DIN 43880 Dimension		1 TE / .71" [18]
Packaging Dimensions (HxWxL)		4.3 x 4.5 x 13.8" [109 x 115 x 352 mm]
Standard Order Quantity		12 Units

Spare Plug



Single Unit

ProTube T1H-50-P	50	
Weight	pounds [grams]	.214 [97]
DIN 43880 Dimension		1 TE / .71" [18]
Packaging Dimensions (HxWxL)		4.3 x 4.5 x 13.8" [109 x 115 x 352 mm]
Standard Order Quantity		28 Units