

DATA SHEET

Pluggable Multi-Pole SPD for Photovoltaic Systems

ProTec T2-PV 1+0**Class II • Type 2**

Location of Use: String box, Inverter
 Mode of Protection: (+)-PE, (-)-PE
 Surge Ratings: $I_n = 20 \text{ kA}$ (8/20 μs)
 IEC/EN Category: Class II/Type 2
 Housing: Pluggable Design
 Compliance: IEC 61643-31:2018
 EN 50539-11:2013+A1:2014
 EN 61643-31:2019

Technical Data

ProTec T2-xxxPV-1+0(-R)		125*	250	600
EN Electrical				
Maximum Continuous Operating DC Voltage	U_{CPV}	125 V	250 V	600 V
Nominal Discharge Current (8/20 μs)	I_n	20 kA	20 kA	20 kA
Maximum Discharge Current (8/20 μs)	I_{max}	40 kA	50 kA	40 kA
Voltage Protection Level (8/20 μs)	U_p	500 V	900 V	1900 V
Response Time	t_A		< 25 ns	
Short-Circuit Current Rating	I_{SCPV}	6 kA	11 kA	11 kA
Number of Ports			1	
Mechanical & Environmental				
Operating Temperature Range	T_a	-40 °F to +185 °F [-40 °C to +85 °C]		
Permissible Operating Humidity	RH	5%...95%		
Altitude (max)		13123 ft [4000 m]		
Terminal Screw Torque	M_{max}	39.9 lbf-in [4.5 Nm]		
Conductor Cross Section (max)		2 AWG (Solid, Stranded) / 4 AWG (Flexible) 35 mm ² (Solid, Stranded) / 25 mm ² (Flexible)		
Mounting		35 mm DIN Rail, EN 60715		
Degree of Protection		IP 20 (built-in)		
Housing Material		Thermoplastic: Extinguishing Degree UL 94 V-0		
Thermal Protection		Yes		
Operating State / Fault Indication		Green Flag / Not Green Flag		
Remote Contacts (RC)		Optional		
RC Switching Capacity		AC: 250 V / 1 A, 125 V / 1 A; DC: 48 V / 0.5 A, 24 V / 0.5 A, 12 V / 0.5 A		
RC Conductor Cross Section (max)		16 AWG (Solid) / 1.5 mm ² (Solid)		
Order Information				
Order Code		125*	250	600
ProTec T2-xxxPV-1+0		59.A298	59.0988	59.0989
ProTec T2-xxxPV-1+0-R (with remote contacts)		59.A299	59.0982	59.0983
ProTec T2-xxxPV-P		59.A300	59.0994	59.0995

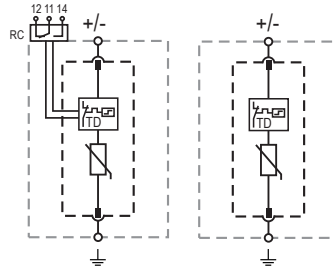
*Complies only to EN 50539-11:2013+A1:2014.

ProTec T2-PV 1+0

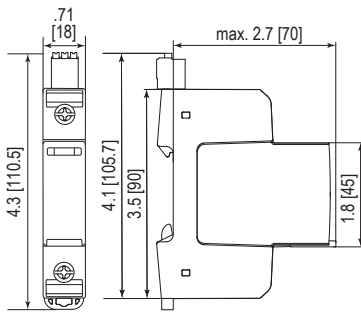
Internal Configuration

Legend

- +/-, -/+ Terminal for +/-, -/+ Conductor
- ⊥ Terminal for PE/G Conductor
- RC Remote Contacts Optional
- TD Thermal Disconnect



Complete Unit

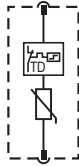


Dimensions & Packaging

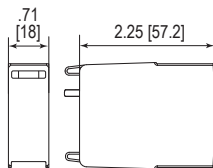
		125	250	600
ProTec T2-xxxPV-1+0				
Single Unit Weight	pounds	.266	.273	.308
	grams	121	124	140
ProTec T2-xxxPV-1+0-R				
Single Unit Weight	pounds	.275	.308	.323
	grams	125	131	147
Single Unit DIN 43880 Dimension		1 TE / .71 [18]		
Packaging Dimensions (HxWxL)		4.3 x 4.5 x 13.8" [109 x 115 x 352 mm]		
Standard Order Quantity		12 Units		

Plug Internal Configuration

ProTec T2-XXXPV-P



Spare Plug



Dimensions & Packaging

		125	250	600
ProTec T2-xxxPV-P				
Single Unit Weight	pounds	.110	.119	.161
	grams	50	54	73
Single Unit DIN 43880 Dimension		1 TE / .71 [18]		
Packaging Dimensions (HxWxL)		3.2 x 4.5 x 12" [83 x 115 x 305 mm]		
Standard Order Quantity		1 Unit		

inches
[mm]

Information contained in this document is subject to change at any time without notice.



Pluggable Multi-Pole SPD for Photovoltaic Systems
ProTec T2-PV 2+0
 Class II • Type 2



Location of Use: String box, Inverter
 Mode of Protection: (+)-PE, (-)-PE
 Surge Ratings: $I_n=20\text{ kA}$ (8/20 μs)
 IEC/EN Category: Class II/Type 2
 Housing: Pluggable Design
 Compliance: IEC 61643-31:2018
 EN 50539-11:2013+A1:2014
 EN 61643-31:2019

Technical Data

ProTec T2-xxxPV-2+0(-R)		125*	250	600
EN Electrical				
Maximum Continuous Operating DC Voltage	U_{CPV}	125 V	250 V	600 V
Nominal Discharge Current (8/20 μs)	I_n	20 kA	20 kA	20 kA
Maximum Discharge Current (8/20 μs)	I_{max}	40 kA	50 kA	40 kA
Total Discharge Current	I_{Total}	50 kA	50 kA	50 kA
Voltage Protection Level (8/20 μs)	U_p	500 V	900 V	1900 V
Response Time	t_A		< 25 ns	
Short-Circuit Current Rating	I_{SCPV}	6 kA	11 kA	11 kA
Number of Ports			1	

Mechanical & Environmental				
Operating Temperature Range	T_a	-40 °F to +185 °F [-40 °C to +85 °C]		
Permissible Operating Humidity	RH	5%...95%		
Altitude (max)		13123 ft [4000 m]		
Terminal Screw Torque	M_{max}	39.9 lbf-in [4.5Nm]		
Conductor Cross Section (max)		2 AWG (Solid, Stranded) / 4 AWG (Flexible) 35 mm ² (Solid, Stranded) / 25 mm ² (Flexible)		
Mounting		35 mm DIN Rail, EN 60715		
Degree of Protection		IP 20 (built-in)		
Housing Material		Thermoplastic: Extinguishing Degree UL 94 V-0		
Thermal Protection		Yes		
Operating State / Fault Indication		Green Flag / Not Green Flag		
Remote Contacts (RC)		Optional		
RC Switching Capacity		AC: 250 V / 1A, 125 V / 1 A; DC: 48 V / 0.5A, 24 V / 0.5A, 12 V / 0.5A		
RC Conductor Cross Section (max)		16 AWG (Solid) / 1.5 mm ² (Solid)		

Order Information				
Order Code		125*	250	600
ProTec T2-xxxPV-2+0		59.A301	59.A320	59.A086
ProTec T2-xxxPV-2+0-R (with remote contacts)		59.A302	59.A321	59.A087
ProTec T2-xxxPV-P		59.A300	59.0994	59.0995

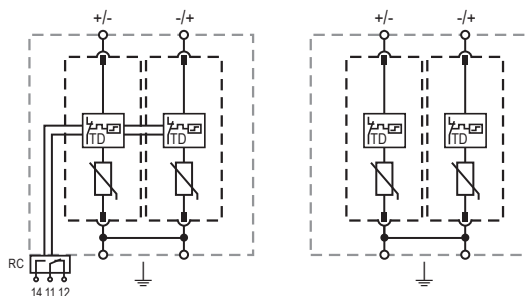
*Complies only to EN 50539-11:2013+A1:2014.

ProTec T2-PV 2+0

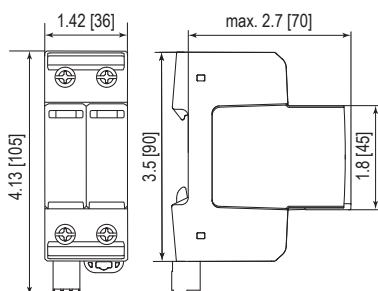
Internal Configuration

Legend

- +/-, -/+ Terminal for +/-, -/+ Conductor
- ⊥ Terminal for PE/G Conductor
- RC Remote Contacts Optional
- TD Thermal Disconnect



Complete Unit

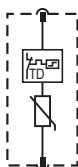


Dimensions & Packaging

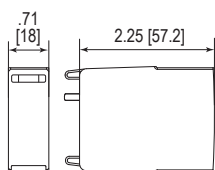
		125	250	600
ProTec T2-xxxPV-2+0				
Single Unit Weight	pounds	.518	.535	.514
	grams	235	243	233
ProTec T2-xxxPV-2+0-R				
Single Unit Weight	pounds	.529	.546	.534
	grams	240	248	242
Single Unit DIN 43880 Dimension		1 TE / .71 [18]		
Packaging Dimensions (HxWxL)		4.3 x 4.5 x 13.8" [109 x 115 x 352 mm]		
Standard Order Quantity		12 Units		

Plug Internal Configuration

ProTec T2-XXXPV-P



Spare Plug



Dimensions & Packaging

		125	250	600
ProTec T2-xxxPV-P				
Single Unit Weight	pounds	.110	.119	.161
	grams	50	54	73
Single Unit DIN 43880 Dimension		1 TE / .71 [18]		
Packaging Dimensions (HxWxL)		3.2 x 4.5 x 12" [83 x 115 x 305 mm]		
Standard Order Quantity		1 Unit		

inches
[mm]

Information contained in this document is subject to change at any time without notice.



ProTec T2-PV 3+0

Class II • Type 2



Location of Use: String box, Inverter
 Mode of Protection: (+)-PE, (-)-PE, (+)-(-)
 Surge Ratings: $I_n = 20\text{ kA (8/20 }\mu\text{s)}$
 $I_{\text{Total}} = 50\text{ kA (8/20 }\mu\text{s)}$
 IEC/EN Category: Class II/Type 2
 Housing: Pluggable Design
 Compliance: IEC 61643-31:2018
 EN 50539-11:2013+A1:2014
 EN 61643-31:2019

Technical Data

ProTec T2-xxxPV-3+0(-R)		250*	600
EN Electrical			
Maximum Continuous Operating DC Voltage	U_{CPV}	250 V	600 V
Nominal Discharge Current (8/20 μs)	I_n	20 kA	20 kA
Maximum Discharge Current (8/20 μs)	I_{max}	40 kA	50 kA
Total Discharge Current	I_{Total}	50 kA	50 kA
Voltage Protection Level (8/20 μs)	U_p	1000 V	2000 V
Response Time	t_A	< 25 ns	
Short-Circuit Current Rating	I_{SCPV}	11 kA	
Number of Ports		1	

Mechanical & Environmental			
Operating Temperature Range	T_a	-40 °F to +185 °F [-40 °C to +85 °C]	
Permissible Operating Humidity	RH	5%...95%	
Altitude (max)		13123 ft [4000 m]	
Terminal Screw Torque	M_{max}	39.9 lbf-in [4.5 Nm]	
Conductor Cross Section (max)		2 AWG (Solid, Stranded) / 4 AWG (Flexible) 35 mm ² (Solid, Stranded) / 25 mm ² (Flexible)	
Mounting		35 mm DIN Rail, EN 60715	
Degree of Protection		IP 20 (built-in)	
Housing Material		Thermoplastic: Extinguishing Degree UL 94 V-0	
Thermal Protection		Yes	
Operating State / Fault Indication		Green Flag / Not Green Flag	
Remote Contacts (RC)		Optional	
RC Switching Capacity		AC: 250V/1A, 125V/1A; DC: 48V/0.5A, 24V/0.5A, 12V/0.5A	
RC Conductor Cross Section (max)		16 AWG (Solid) / 1.5 mm ² (Solid)	

Order Information			
Order Code		250*	600
ProTec T2-xxxPV-3+0		59.0985	59.0986
ProTec T2-xxxPV-3+0-R (with remote contacts)		59.0979	59.0980
ProTec T2-125PV-P		59.A300	-
ProTec T2-300PV-P		-	59.0992

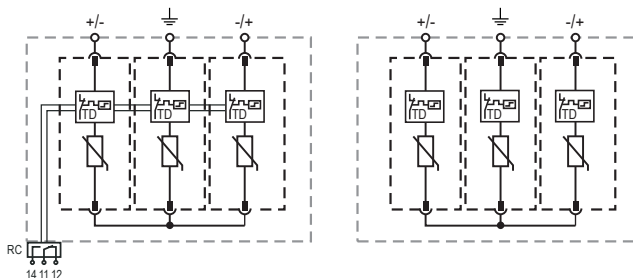
*Complies only to EN 50539-11:2013+A1:2014.

ProTec T2-PV 3+0

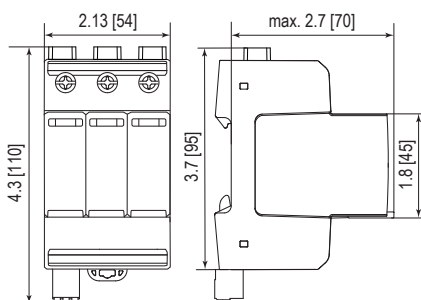
Internal Configuration

Legend

- +/-, -/+ Terminal for +/-, -/+ Conductor
- ⊥ Terminal for PE/G Conductor
- RC Remote Contacts Optional
- TD Thermal Disconnect



Complete Unit

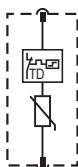


Dimensions & Packaging

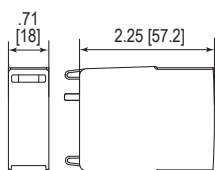
		250	600
Single Unit Weight	pounds	.696	.745
	grams	316	338
		250	600
Single Unit Weight	pounds	.509	.753
	grams	321	342
Single Unit DIN 43880 Dimension		3 TE / 2.13 [54]	
Packaging Dimensions (HxWxL)		4.3 x 4.5 x 13.8" [109 x 115 x 352 mm]	
Standard Order Quantity		5 Units	

Plug Internal Configuration

ProTec T2-xxxPV-P



Spare Plug



Dimensions & Packaging

		125	300
Single Unit Weight	pounds	.110	.121
	grams	50	55
Single Unit DIN 43880 Dimension		1 TE / .71 [18]	
Packaging Dimensions (HxWxL)		3.2 x 4.5 x 12" [83 x 115 x 305 mm]	
Standard Order Quantity		24 Units	

inches
[mm]

Information contained in this document is subject to change at any time without notice.

