

Box with Multi-Pole SPD for Photovoltaic Systems
ProTec T2 PV-3Y-L(-RG)-Box
 Class II • Type 2

Location of Use: Photovoltaic Systems
 Mode of Protection: (+)-PE, (-)-PE, (+)-(-)
 IEC/EN Category: Class II, Type 2
 Housing: Up to IP 67 Enclosure
 Compliance: EN 61643-31:2019
 IEC 61643-31:2018



Technical Data

ProTec T2-xxxxPV-3Y-L(-RG)-Box

1100

1500

Electrical

Maximum Continuous Operating Voltage (DC)	U_{OPV}	1100V	1500V
Nominal Discharge Current (8/20 μ s)	I_n	20 kA	15 kA
Total Discharge Current (8/20 μ s)	I_{total}	40 kA	40 kA
Maximum Discharge Current (8/20 μ s)	I_{max}	40 kA	40 kA
Voltage Protection Level	U_p	< 4.2 kV	< 4.8 kV
Rated Load Current [Rubber Grommet]	I_L	35 A	35 A
Response Time	t_A	< 25 ns	
Short Circuit Current Rating	I_{SCPV}	9 kA	
Number of Strings per MPPT		1	

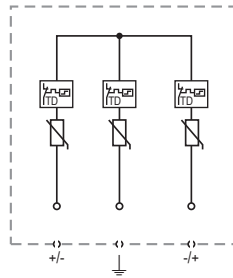
Mechanical & Environmental

Temperature Range	T_a	-40 °F to +185 °F [-40 °C to +85 °C]	
Permissible Humidity	RH	5%...95%	
Altitude		13123 ft [4000 m]	
Type of Cable Entry		Cable Gland / Rubber Grommet	
Wire Insulation Outer Diameter	(min)	.15" [4 mm] (stranded, flexible)	
	(max)	.31" [8 mm] (stranded, flexible)	
Conductor Cross Section [Cable Gland]	(min)	24 AWG [0.2 mm ²] (stranded, flexible)	
	(max)	5 AWG [16 mm ²] (stranded, flexible)	
2 Conductors with Same Cross Section and Twin Ferrule [Rubber Grommet]	(min)	20 AWG [0.5 mm ²] (stranded, flexible)	
	(max)	9 AWG [6 mm ²] (stranded, flexible)	
Degree of Protection [Cable Gland / Rubber Grommet]		IP 67/IP 65	
Thermal Protection		Yes	
Operating State / Fault Indication		Green Flag / Not Green Flag	
Housing Material		Polycarbonate with Semi-transparent	
Mounting		Wall - Indoor/Outdoor	

Internal Configuration

Legend

- +/, -/+ Terminal for +/-, -/+ Conductor
- ⏚ Terminal for PE/G Conductor
- TD Thermal Disconnect



ProTec T2-xxxxPV-3Y-L(-RG)-Box

Order Information

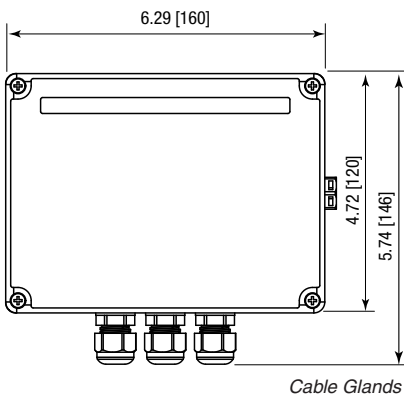
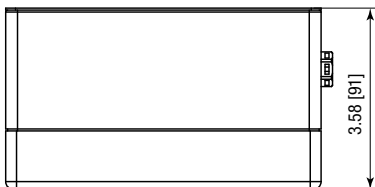
Order Code	1100	1500
ProTec T2-xxxxPV-3Y-L-Box (Cable Gland)	515 546	515 548
ProTec T2-xxxxPV-3Y-L-RG-Box (Rubber Grommet)	515 646	515 648

Abmessungen & Verpackung

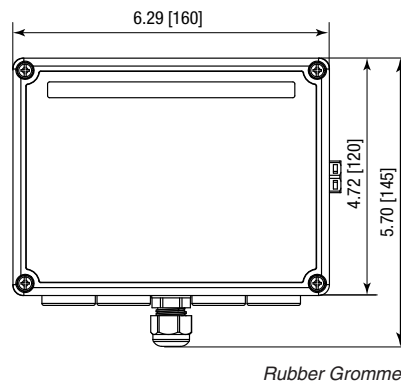
inches [mm]

Complete Unit

ProTec T2-xxxxPV-3Y-L-Box		1100	1500
Single Unit Weight	pounds [grams]	1.55 [705]	1.53 [694]
ProTec T2-xxxxPV-3Y-L-RG-Box		1100	1500
Single Unit Weight	pounds [grams]	1.73 [787]	1.79 [814]
Packaging Dimensions (H x W x L)		4.06 x 6.29 x 7.87" [103 x 160 x 200 mm]	
Minimum Package Quantity		1 Unit	



Cable Glands



Rubber Grommet

Information contained in this document is subject to change at any time without notice.

