

**DATA SHEET**Single-pole PCB Mount SPD Socket for AC System  
**PCB Socket T1(-R)**

Class I • Class II • Type 1 • Type 2 • Type 1CA



Location of Use: Indoor - to be firmly fixed to PCB  
 Network Systems: TN, TT (only L-N)  
 Mode of Protection: L-PE, N-PE (only TN-S), L-PEN  
 IEC/EN/UL Category: Class I+II, Type 1+2, Type 1CA  
 Housing: PCB Mount  
 Compliance: IEC 61643-11:2011  
 EN 61643-11:2012+A11:2018  
 UL 1449 5th Edition

**Technical Data****PCB Socket T1(-R)****IEC Electrical**

Nominal AC Voltage (50/60 Hz)	$U_o / U_n$	up to 600V
Maximum Continuous Operating Voltage (AC)	$U_c$	up to 750V
Nominal Discharge Current (8/20 $\mu$ s)	$I_n$	up to 25 kA
Maximum Discharge Current (8/20 $\mu$ s)	$I_{max}$	up to 65 kA
Impulse Discharge Current (10/350 $\mu$ s)	$I_{imp}$	up to 25 kA
Specific Energy	W/R	up to 156.25 kJ/ $\Omega$
Charge	Q	up to 12.5 As
Overcurrent Protection (max)		up to 250 A gG
Short-Circuit Current Rating	$I_{SCCR}$	up to 50 kA
Number of Ports		1

**UL Electrical**

Maximum Continuous Operating Voltage (AC)	MCOV	up to 750V
Nominal Discharge Current (8/20 $\mu$ s)	$I_n$	up to 20 kA
Short-Circuit Current Rating (AC)	SCCR	up to 200 kA

**Mechanical & Environmental**

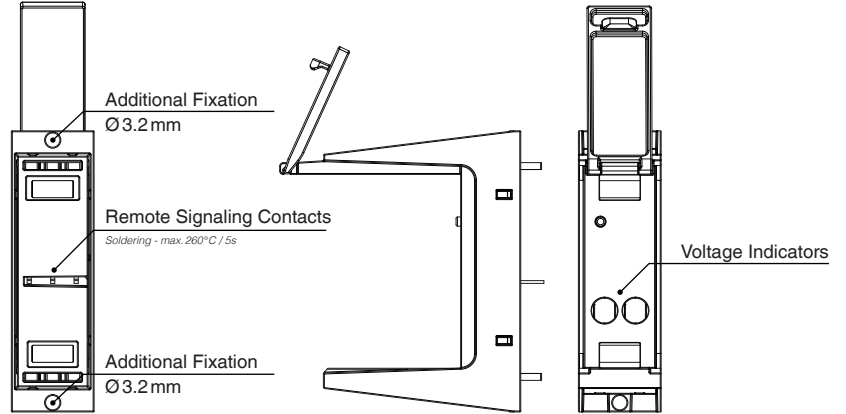
Operating Temperature Range	$T_a$	-40 °F to +185 °F [-40 °C to +85 °C]
Permissible Operating Humidity	RH	5%...95%
Altitude (max)		13123 ft [4000m]
Mounting		Printed Circuit Board (PCB)
Degree Of Protection		IP 20 (built-in PCB, with protection module plugged in)
Housing Material		Thermoplastic: Extinguishing Degree UL 94 V-0
Remote Contacts (RC)		Optional
RC Switching Capacity		AC: 250V/1A, 125V/1A; DC: 48V/0.5A, 24V/0.5A, 12V/0.5A

\*Product with T2 sized locking clip.

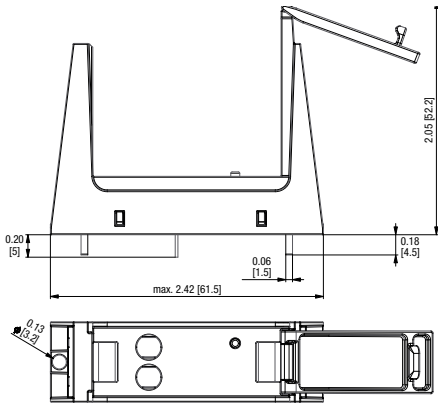
For complete line of Raycap product solutions or dedicated case applications please contact us: [info@raycap.com](mailto:info@raycap.com).

## Installation Configuration

## PCB Socket T1(-R)



## Complete Unit



### Single Unit Dimensions & Packaging

#### PCB Socket T1

Weight	pounds	.046
	grams	21 g

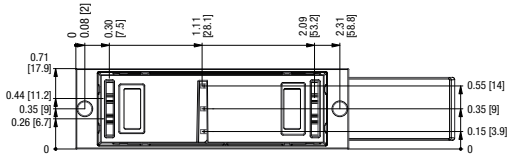
#### PCB Socket T1-R

Weight	pounds	.048
	grams	22 g

DIN 43880 Dimension 1 TE / .71" [18]

Packaging Dimensions (H x W x L) 14.8 x 2.8 x 2.6" [37.5 x 7 x 6.5mm]

Standard Order Quantity 1 Unit



inches  
[mm]

Information contained in this document is subject to change at any time without notice.

