

DATA SHEET

Single-pole PCB Mount SPD Socket for AC System

PCB Socket T2(-R)

Class II • Type 2 • Type 1CA



Location of Use: Indoor - to be firmly fixed to PCB
 Network Systems: TN, TT
 Mode of Protection: L-PE, N-PE, L-PEN
 IEC/EN/UL Category: Class II, Type 2, Type 1CA
 Housing: PCB Mount
 Compliance: IEC 61643-11:2011
 EN 61643-11:2012+A11:2018
 UL 1449 5th Edition

Technical Data**PCB Socket T2(-R)****IEC Electrical**

Nominal AC Voltage (50/60 Hz)	U_o / U_n	up to 600V
Maximum Continuous Operating Voltage (AC)	U_c	up to 880V
Nominal Discharge Current (8/20 μ s)	I_n	up to 40 kA
Maximum Discharge Current (8/20 μ s)	I_{max}	up to 65 kA
Overcurrent Protection (max)		up to 250 A gG
Short-Circuit Current Rating	I_{SCCR}	up to 50 kA
Number of Ports		1

UL Electrical

Maximum Continuous Operating Voltage (AC)	MCOV	up to 880V
Nominal Discharge Current (8/20 μ s)	I_n	up to 20 kA
Short-Circuit Current Rating (AC)	SCCR	up to 200 kA

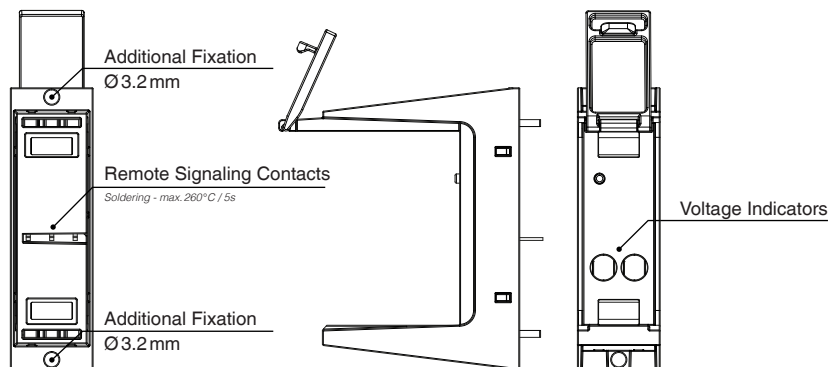
Mechanical & Environmental

Operating Temperature Range	T_a	-40 °F to +185 °F [-40 °C to +85 °C]
Permissible Operating Humidity	RH	5%...95%
Altitude (max)		13123 ft [4000m]
Mounting		Printed Circuit Board (PCB)
Degree Of Protection		IP 20 (built-in PCB, with protection module plugged in)
Housing Material		Thermoplastic: Extinguishing Degree UL 94 V-0
Remote Contacts (RC)		Optional
RC Switching Capacity		AC: 250V/1A, 125V/1A; DC: 48V/0.5A, 24V/0.5A, 12V/0.5A

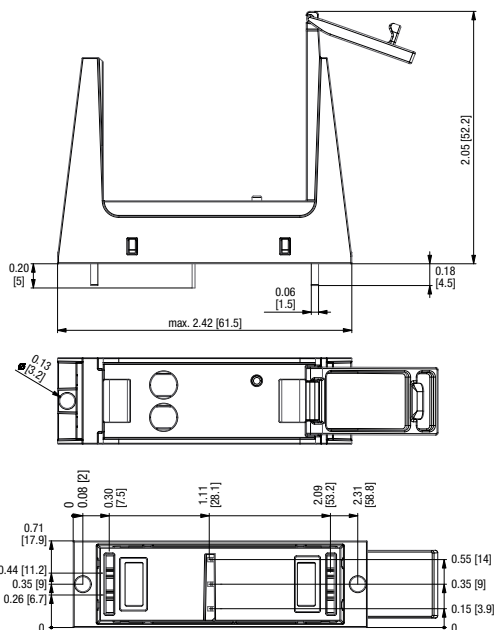
For complete line of Raycap product solutions or dedicated case applications please contact us: info@raycap.com.

PCB Socket T2(-R)

Installation Configuration



Complete Unit



Single Unit Dimensions & Packaging

PCB Socket T2

Weight	pounds	.044
	grams	20g

PCB Socket T2-R

Weight	pounds	.046
	grams	21g

DIN 43880 Dimension	1 TE / .71" [18]
Packaging Dimensions (H x W x L)	14.8 x 2.8 x 2.6" [37.5 x 7 x 6.5mm]
Standard Order Quantity	1 Unit

inches
[mm]

Information contained in this document is subject to change at any time without notice.

