

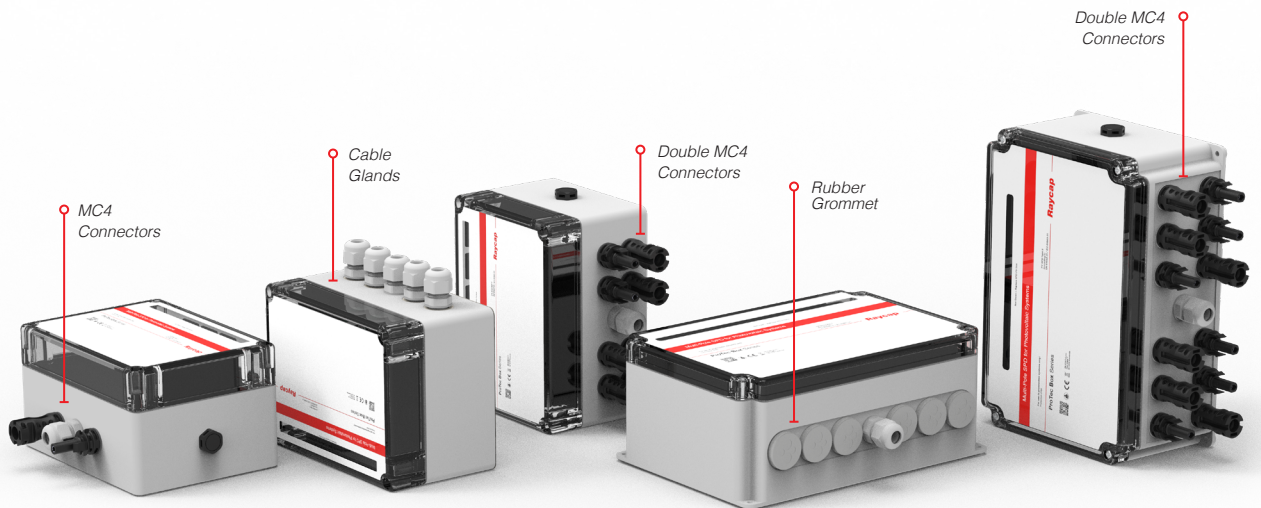
Enclosure with Multi-Pole SPD
for Photovoltaic Systems



Lightning and Overvoltage Protection
ProTec T1 PV 3Y, 5Y & 7Y Box
& ProTec T2 PV 3Y, 5Y & 7Y Box

Special features:

- Available for 1100 V and 1500 V PV systems
- 3Y, 5Y, 7Y configuration for 1, 2 and 3 string systems
- Compact UV-stable housing with protection class up to IP 67
- Transparent cover with failure status indicator on plugs
- Compliant with IEC 61643-31 PV surge protection device standard
- Quick on-wall installation of the DC side protection next to the inverter
- Multiple connection options available



EN 61643-31:2019



IEC 61643-31:2018



These space-saving surge protection and connection solutions were developed for the protection of Photovoltaic (PV) inverters. The pre-assembled enclosures feature Class I & II / EN Type 1 & 2 arresters for 1100V and 1500V DC. Designed for quick on-wall installation at the DC side of the inverter, the compact UV-stable housing is suitable for indoor and outdoor installations. A transparent cover enables the viewing of module failure status indicators.

PV Box T1



PV Box T2



More Product Information



Box with Multi-Pole SPD for Photovoltaic Systems

ProTec T1 PV-3Y(-S)(-RG)-Box

Class I • Class II • Type 1 • Type 2



Location of Use: Photovoltaic Systems
 Mode of Protection: (+)-PE, (-)-PE, (+)-(-)
 IEC/EN Category: Class I+II, Type 1+2
 Housing: Up to IP 67 Enclosure
 Compliance: EN 61643-31:2019
 IEC 61643-31:2018

Technical Data

ProTec T1-xxxxPV-3Y(-S)(-RG)-Box

1100

1500

Electrical

Maximum Continuous Operating Voltage (DC)	U_{OPV}	1100V	1500V
Nominal Discharge Current (8/20 μ s)	I_n	20 kA	20 kA
Total Discharge Current (8/20 μ s)	I_{total}	50 kA	50 kA
Maximum Discharge Current (8/20 μ s)	I_{max}	40 kA	50 kA
Impulse Discharge Current (10/350 μ s)	I_{imp}	6.25 kA	6.25 kA
Total Discharge Current (10/350 μ s)	I_{total}	12.5 kA	12.5 kA
Specific Energy	W/R	9.77 kJ/ Ω	9.77 kJ/ Ω
Charge	Q	3.125 As	3.125 As
Voltage Protection Level	U_p	< 4.4 kV	< 5.2 kV
Rated Load Current [Rubber Grommet]	I_L	35 A	35 A
Response Time	t_A	< 25 ns	< 25 ns
Short Circuit Current Rating	I_{SCPV}	11 kA	30 kA
Number of Strings per MPPT			1

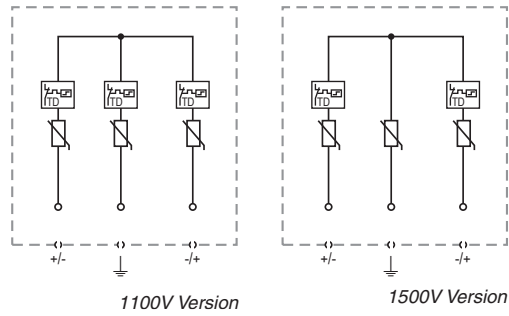
Mechanical & Environmental

Temperature Range	T_a	-40 °F to +185 °F [-40 °C to +85 °C]	
Permissible Humidity	RH	5%...95%	
Altitude		13123 ft [4000 m]	
Type of Cable Entry		Cable Gland / Rubber Grommet	
Wire Insulation Outer Diameter	(min)	.15" [4 mm] (stranded, flexible)	
	(max)	.31" [8 mm] (stranded, flexible)	
Conductor Cross Section [Cable Gland]	(min)	24 AWG [0.2 mm ²] (stranded, flexible)	
	(max)	5 AWG [16 mm ²] (stranded, flexible)	
2 Conductors with Same Cross Section and Twin Ferrule [Rubber Grommet]	(min)	20 AWG [0.5 mm ²] (stranded, flexible)	
	(max)	9 AWG [6 mm ²] (stranded, flexible)	
Degree of Protection [Cable Gland / Rubber Grommet]		IP 67/IP 65	
Thermal Protection		Yes	
Operating State / Fault Indication		Green Flag / Not Green Flag	
Housing Material		Polycarbonate with Semi-transparent	
Mounting		Wall - Indoor/Outdoor	

Internal Configuration

Legend

- +/-, -/+ Terminal for +/-, -/+ Conductor
- ⏏ Terminal for PE/G Conductor
- TD Thermal Disconnect



ProTec T1-xxxxPV-3Y(-S)(-RG)-Box

Order Information

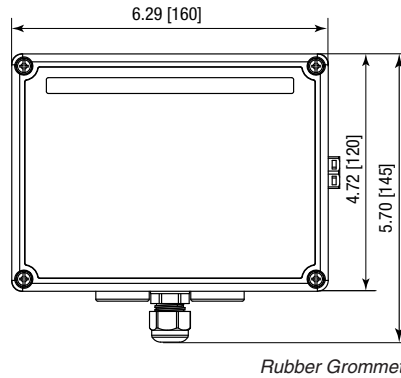
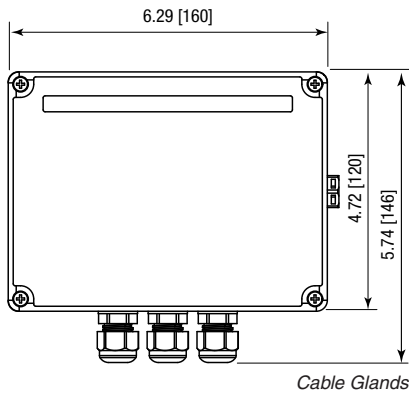
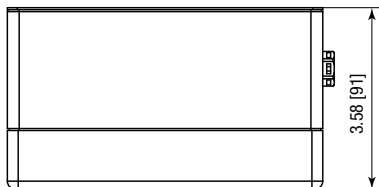
Order Code	1100	1500
ProTec T1-xxxxPV-3Y-Box (Cable Gland)	515 608	-
ProTec T1-xxxxPV-3Y-S-Box (Cable Gland)	-	515 612
ProTec T1-xxxxPV-3Y-RG-Box (Rubber Grommet)	515 649	-
ProTec T1-xxxxPV-3Y-S-RG-Box (Rubber Grommet)	-	515 651

Abmessungen & Verpackung

inches [mm]

Complete Unit

ProTec T1-xxxxPV-3Y(-S)-Box		1100	1500
Single Unit Weight	pounds [grams]	1.54 [701]	1.77 [806]
ProTec T1-xxxxPV-3Y(-S)-RG-Box			
Single Unit Weight	pounds [grams]	1.94 [881]	2.17 [986]
Packaging Dimensions (H x W x L)		4.06 x 6.29 x 7.87" [103 x 160 x 200 mm]	
Minimum Package Quantity		1 Unit	



Information contained in this document is subject to change at any time without notice.



Box with Multi-Pole SPD for Photovoltaic Systems
ProTec T1 PV-5Y(-S)(-RG)-Box
 Class I • Class II • Type 1 • Type 2

Location of Use: Photovoltaic Systems
 Mode of Protection: (+)-PE, (-)-PE, (+)-(-)
 IEC/EN Category: Class I+II, Type 1+2
 Housing: Up to IP 67 Enclosure
 Compliance: EN 61643-31:2019
 IEC 61643-31:2018



Technical Data

ProTec T1-xxxxPV-5Y(-S)(-RG)-Box

1100

1500

Electrical

Maximum Continuous Operating Voltage (DC)	U_{OPV}	1100V	1500V
Nominal Discharge Current (8/20 μ s)	I_n	20 kA	20 kA
Total Discharge Current (8/20 μ s)	I_{total}	50 kA	50 kA
Maximum Discharge Current (8/20 μ s)	I_{max}	40 kA	50 kA
Impulse Discharge Current (10/350 μ s)	I_{imp}	6.25 kA	6.25 kA
Total Discharge Current (10/350 μ s)	I_{total}	12.5 kA	12.5 kA
Specific Energy	W/R	9.77 kJ/ Ω	9.77 kJ/ Ω
Charge	Q	3.125 As	3.125 As
Voltage Protection Level	U_p	< 4.4 kV	< 5.2 kV
Rated Load Current [Rubber Grommet]	I_L	35 A	35 A
Response Time	t_A	< 25 ns	< 25 ns
Short Circuit Current Rating	I_{SCPV}	11 kA	30 kA
Number of Strings per MPPT			2

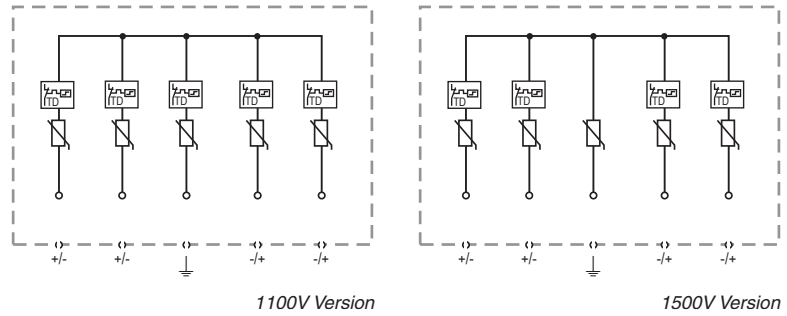
Mechanical & Environmental

Temperature Range	T_a	-40 °F to +185 °F [-40 °C to +85 °C]	
Permissible Humidity	RH	5%...95%	
Altitude		13123 ft [4000 m]	
Type of Cable Entry		Cable Gland / Rubber Grommet	
Wire Insulation Outer Diameter	(min)	.15" [4 mm] (stranded, flexible)	
	(max)	.31" [8 mm] (stranded, flexible)	
Conductor Cross Section [Cable Gland]	(min)	24 AWG [0.2 mm ²] (stranded, flexible)	
	(max)	5 AWG [16 mm ²] (stranded, flexible)	
2 Conductors with Same Cross Section and Twin Ferrule [Rubber Grommet]	(min)	20 AWG [0.5 mm ²] (stranded, flexible)	
	(max)	9 AWG [6 mm ²] (stranded, flexible)	
Degree of Protection [Cable Gland / Rubber Grommet]		IP 67/IP 65	
Thermal Protection		Yes	
Operating State / Fault Indication		Green Flag / Not Green Flag	
Housing Material		Polycarbonate with Semi-transparent	
Mounting		Wall - Indoor/Outdoor	

Internal Configuration

Legend

- +/-, -/+ Terminal for +/-, -/+ Conductor
- ⏚ Terminal for PE/G Conductor
- TD Thermal Disconnect



1100V Version

1500V Version

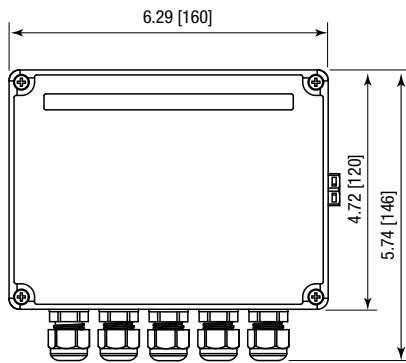
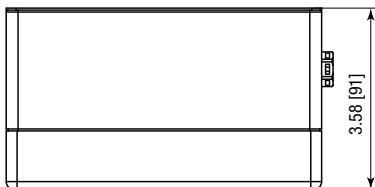
ProTec T1-xxxxPV-5Y(-S)(-RG)-Box

Order Information

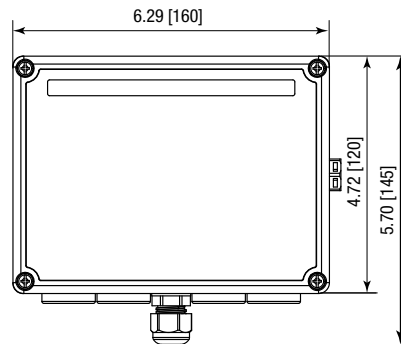
Order Code	1100	1500
ProTec T1-xxxxPV-5Y-Box (Cable Gland)	515 609	-
ProTec T1-xxxxPV-5Y-S-Box (Cable Gland)	-	515 613
ProTec T1-xxxxPV-5Y-RG-Box (Rubber Grommet)	515 650	-
ProTec T1-xxxxPV-5Y-S-RG-Box (Rubber Grommet)	-	515 652

Abmessungen & Verpackung

inches [mm]



Cable Glands



Rubber Grommet

Complete Unit

ProTec T1-xxxxPV-5Y(-S)-Box		1100	1500
Single Unit Weight	pounds [grams]	2.01 [915]	2.41 [1096]
ProTec T1-xxxxPV-5Y(-S)-RG-Box			
Single Unit Weight	pounds [grams]	2.46 [1117]	2.86 [1298]
Packaging Dimensions (H x W x L)		4.06 x 6.29 x 7.87" [103 x 160 x 200 mm]	
Minimum Package Quantity		1 Unit	

Information contained in this document is subject to change at any time without notice.



Box with Multi-Pole SPD for Photovoltaic Systems
ProTec T1 PV-3Y(-S)-(x)MC-Box
 Class I • Class II • Type 1 • Type 2



Location of Use: Photovoltaic Systems
 Mode of Protection: (+)-PE, (-)-PE, (+)-(-)
 IEC/EN Category: Class I+II, Type 1+2
 Housing: IP 67 Enclosure
 Compliance: EN 61643-31:2019
 IEC 61643-31:2018

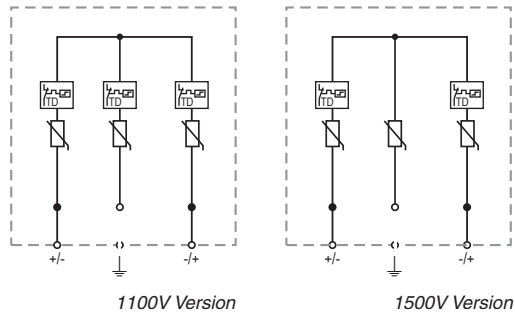
Technical Data

ProTec T1-xxxxPV-3Y(-S)-(x)MC-Box		1100	1500
Electrical			
Maximum Continuous Operating Voltage (DC)	U_{OPV}	1100V	1500V
Nominal Discharge Current (8/20 μ s)	I_n	20 kA	20 kA
Total Discharge Current (8/20 μ s)	I_{total}	50 kA	50 kA
Maximum Discharge Current (8/20 μ s)	I_{max}	40 kA	50 kA
Impulse Discharge Current (10/350 μ s)	I_{imp}	6.25 kA	6.25 kA
Total Discharge Current (10/350 μ s)	I_{total}	12.5 kA	12.5 kA
Specific Energy	W/R	9.77 kJ/ Ω	9.77 kJ/ Ω
Charge	Q	3.125 As	3.125 As
Voltage Protection Level	U_p	< 4.4 kV	< 5.2 kV
Rated Load Current [2MC]	I_L	35 A	35 A
Response Time	t_A	< 25 ns	< 25 ns
Short Circuit Current Rating	I_{SCPV}	11 kA	30 kA
Number of Strings per MPPT			1
Mechanical & Environmental			
Temperature Range	T_a	-40 °F to +185 °F [-40 °C to +85 °C]	
Permissible Humidity	RH	5%...95%	
Altitude		13123 ft [4000 m]	
Type of Cable Entry		Cable Gland / MC4 Connectors	
Wire Insulation Outer Diameter	(min)	.15" [4 mm] (stranded, flexible)	
	(max)	.31" [8 mm] (stranded, flexible)	
Conductor Cross Section Grounding [Cable Gland]	(min)	24 AWG [0.2 mm ²] (stranded, flexible)	
	(max)	5 AWG [16 mm ²] (stranded, flexible)	
Degree of Protection		IP 67	
Thermal Protection		Yes	
Operating State / Fault Indication		Green Flag / Not Green Flag	
Housing Material		Polycarbonate with Semi-transparent	
Mounting		Wall - Indoor/Outdoor	

Internal Configuration

Legend

- +/-, -/+ Terminal for +/-, -/+ Conductor
- ⏏ Terminal for PE/G Conductor
- TD Thermal Disconnect



1100V Version

1500V Version

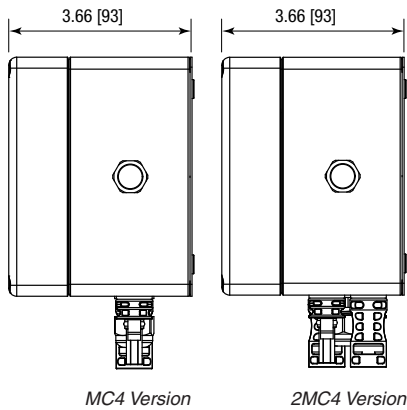
ProTec T1-xxxxPV-3Y(-S)-(x)MC-Box

Order Information

Order Code	1100	1500
ProTec T1-xxxxPV-3Y-MC-Box	515 615	-
ProTec T1-xxxxPV-3Y-S-MC-Box	-	515 617
ProTec T1-xxxxPV-3Y-2MC-Box	515 657	-
ProTec T1-xxxxPV-3Y-S-2MC-Box	-	515 659

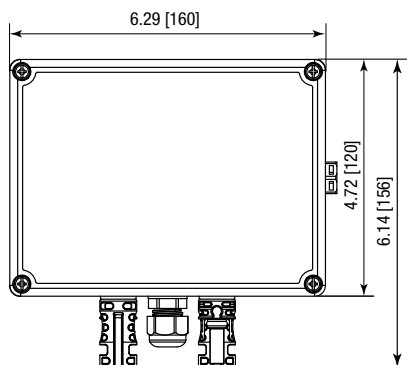
Abmessungen & Verpackung

inches [mm]



MC4 Version

2MC4 Version



Complete Unit

ProTec T1-xxxxPV-3Y(-S)-MC-Box	1100	1500
Single Unit Weight	pounds [grams]	
	1.54 [701]	1.77 [806]
ProTec T1-xxxxPV-3Y(-S)-2MC-Box		
Single Unit Weight	pounds [grams]	
	2.01 [915]	2.24 [1020]
Packaging Dimensions (H x W x L)	4.06 x 6.29 x 7.87" [103 x 160 x 200 mm]	
Minimum Package Quantity	1 Unit	

Information contained in this document is subject to change at any time without notice.



Box with Multi-Pole SPD for Photovoltaic Systems

ProTec T1 PV-5Y(-S)-(x)MC-Box

Class I • Class II • Type 1 • Type 2

Location of Use: Photovoltaic Systems
 Mode of Protection: (+)-PE, (-)-PE, (+)-(-)
 IEC/EN Category: Class I+II, Type 1+2
 Housing: IP 67 Enclosure
 Compliance: EN 61643-31:2019
 IEC 61643-31:2018



Technical Data

ProTec T1-xxxxPV-5Y(-S)-(x)MC-Box

1100

1500

Electrical

Maximum Continuous Operating Voltage (DC)	U_{OPV}	1100V	1500V
Nominal Discharge Current (8/20 μ s)	I_n	20 kA	20 kA
Total Discharge Current (8/20 μ s)	I_{total}	50 kA	50 kA
Maximum Discharge Current (8/20 μ s)	I_{max}	40 kA	50 kA
Impulse Discharge Current (10/350 μ s)	I_{imp}	6.25 kA	6.25 kA
Total Discharge Current (10/350 μ s)	I_{total}	12.5 kA	12.5 kA
Specific Energy	W/R	9.77 kJ/ Ω	9.77 kJ/ Ω
Charge	Q	3.125 As	3.125 As
Voltage Protection Level	U_p	< 4.4 kV	< 5.2 kV
Rated Load Current [2MC]	I_L	35 A	35 A
Response Time	t_A	< 25 ns	< 25 ns
Short Circuit Current Rating	I_{SCPV}	11 kA	30 kA
Number of Strings per MPPT			2

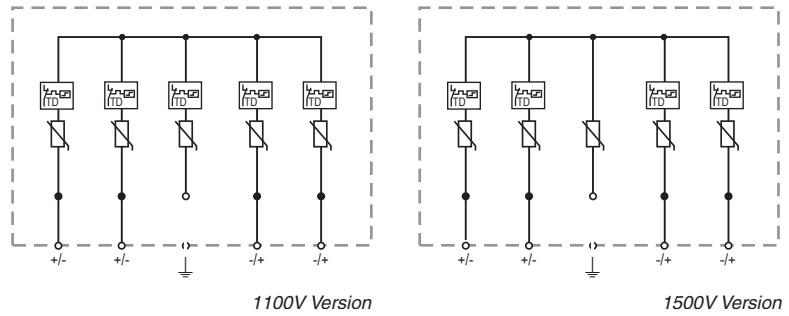
Mechanical & Environmental

Temperature Range	T_a	-40 °F to +185 °F [-40 °C to +85 °C]	
Permissible Humidity	RH	5%...95%	
Altitude		13123 ft [4000 m]	
Type of Cable Entry		Cable Gland / MC4 Connectors	
Wire Insulation Outer Diameter	(min)	.15" [4 mm] (stranded, flexible)	
	(max)	.31" [8 mm] (stranded, flexible)	
Conductor Cross Section Grounding [Cable Gland]	(min)	24 AWG [0.2 mm ²] (stranded, flexible)	
	(max)	5 AWG [16 mm ²] (stranded, flexible)	
Degree of Protection		IP 67	
Thermal Protection		Yes	
Operating State / Fault Indication		Green Flag / Not Green Flag	
Housing Material		Polycarbonate with Semi-transparent	
Mounting		Wall - Indoor/Outdoor	

Internal Configuration

Legend

- +/-, -/+ Terminal for +/-, -/+ Conductor
- ⏚ Terminal for PE/G Conductor
- TD Thermal Disconnect



1100V Version

1500V Version

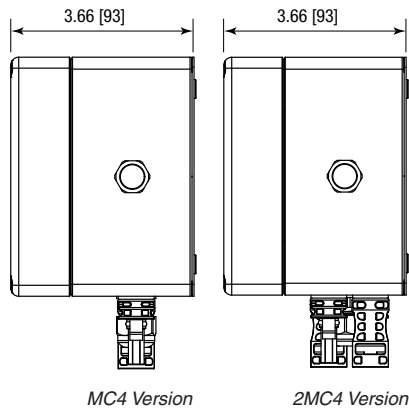
ProTec T1-xxxxPV-5Y(-S)-(x)MC-Box

Order Information

Order Code	1100	1500
ProTec T1-xxxxPV-5Y-MC-Box	515 616	-
ProTec T1-xxxxPV-5Y-S-MC-Box	-	515 618
ProTec T1-xxxxPV-5Y-2MC-Box	515 658	-
ProTec T1-xxxxPV-5Y-S-2MC-Box	-	515 660

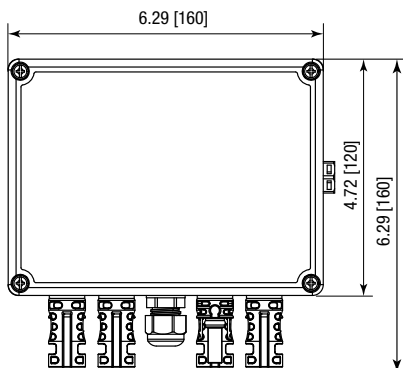
Abmessungen & Verpackung

inches [mm]



MC4 Version

2MC4 Version



Complete Unit

ProTec T1-xxxxPV-5Y(-S)-MC-Box		1100	1500
Single Unit Weight	pounds [grams]	2.01 [915]	2.41 [1096]
ProTec T1-xxxxPV-5Y(-S)-2MC-Box			
Single Unit Weight	pounds [grams]	2.53 [1151]	2.93 [1332]
Packaging Dimensions (H x W x L)		4.06 x 6.29 x 7.87" [103 x 160 x 200 mm]	
Minimum Package Quantity		1 Unit	

Information contained in this document is subject to change at any time without notice.



Box with Multi-Pole SPD for Photovoltaic Systems

ProTec Box T1 5Y RG

Class I • Class II • Type 1 • Type 2



Location of Use: Photovoltaic Systems
 Mode of Protection: (+)-PE, (-)-PE, (+)-(-)
 IEC/EN Category: Class I+II, Type 1+2
 Housing: IP 65 Enclosure
 Compliance: EN 61643-31:2019
 IEC 61643-31:2018

Technical Data

ProTec Box T1-xxxxPV-5Y(-S)(-RG)

1100

1500

Electrical

Maximum Continuous Operating Voltage (DC)	U_{OPV}	1100V	1500V
Nominal Discharge Current (8/20 μ s)	I_n	20 kA	20 kA
Total Discharge Current (8/20 μ s)	I_{total}	50 kA	50 kA
Maximum Discharge Current (8/20 μ s)	I_{max}	40 kA	50 kA
Impulse Discharge Current (10/350 μ s)	I_{imp}	6.25 kA	6.25 kA
Total Discharge Current (10/350 μ s)	I_{total}	12.5 kA	12.5 kA
Specific Energy	W/R	9.77 kJ/ Ω	9.77 kJ/ Ω
Charge	Q	3.125 As	3.125 As
Voltage Protection Level	U_p	4400V	5200V
Rated Load Current [Rubber Grommet]	I_L	45 A	45 A
Response Time	t_A	< 25 ns	< 25 ns
Short Circuit Current Rating	I_{SCPV}	11 kA	30 kA
Number of Strings per MPPT			2

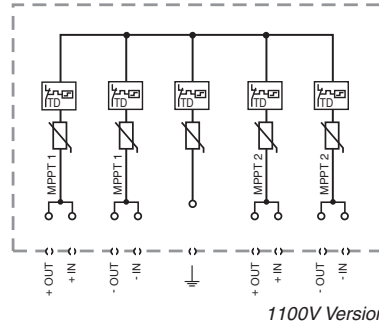
Mechanical & Environmental

Temperature Range	T_a	-40 °F to +185 °F [-40 °C to +85 °C]	
Permissible Humidity	RH	5%...95%	
Altitude		13123 ft [4000 m]	
Type of Cable Entry		Cable Gland / Rubber Grommet	
Wire Insulation Outer Diameter	(min)	.15" [4 mm] (stranded, flexible)	
	(max)	.31" [8mm] (stranded, flexible)	
Conductor Cross Section [Cable Gland]	(min)	24 AWG [0.2 mm ²] (stranded, flexible)	
	(max)	5 AWG [16 mm ²] (stranded, flexible)	
2 Conductors with Same Cross Section and Twin Ferrule [Rubber Grommet]	(min)	20 AWG [0.5 mm ²] (stranded, flexible)	
	(max)	9 AWG [6 mm ²] (stranded, flexible)	
Degree of Protection		IP 65	
Thermal Protection		Yes	
Operating State / Fault Indication		Green Flag / Not Green Flag	
Housing Material		Polycarbonate with Semi-transparent	
Mounting		Wall - Indoor/Outdoor	

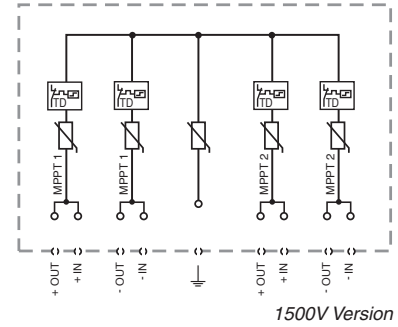
Internal Configuration

Legend

- +/, -/+ Terminal for +/, -/+ Conductor
- ⏏ Terminal for PE/G Conductor
- TD Thermal Disconnect



1100V Version



1500V Version

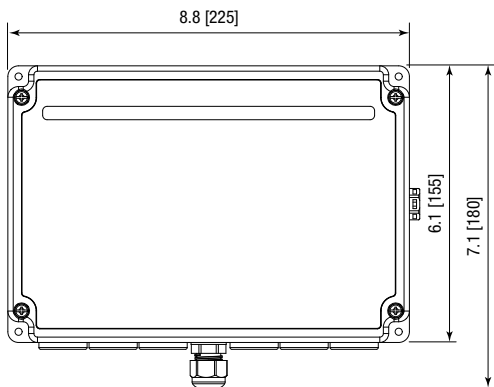
ProTec Box T1-xxxxPV-5Y(-S)(-RG)

Order Information

Order Code	1100	1500
ProTec Box T1-xxxxPV-5Y-RG (Rubber Grommet)	515 936	-
ProTec Box T1-xxxxPV-5Y-S-RG (Rubber Grommet)	-	515 937

Abmessungen & Verpackung

inches [mm]



Complete Unit

ProTec Box T1-xxxxPV-5Y(-S)(-RG)	1100	1500	
Single Unit Weight	pounds [grams]	3.289 [1492]	3.739 [1696]
Packaging Dimensions (H x W x L)	15.1 x 17.7 x 21.6" [385 x 450 x 550 mm]		
Minimum Package Quantity	1 Unit		

Information contained in this document is subject to change at any time without notice.



Box with Multi-Pole SPD for Photovoltaic Systems

ProTec Box T1 7Y RG & 2MC4

Class I • Class II • Type 1 • Type 2



Location of Use: Photovoltaic Systems
 Mode of Protection: (+)-PE, (-)-PE, (+)-(-)
 IEC/EN Category: Class I+II, Type 1+2
 Housing: Up to IP 67 Enclosure
 Compliance: EN 61643-31:2019
 IEC 61643-31:2018

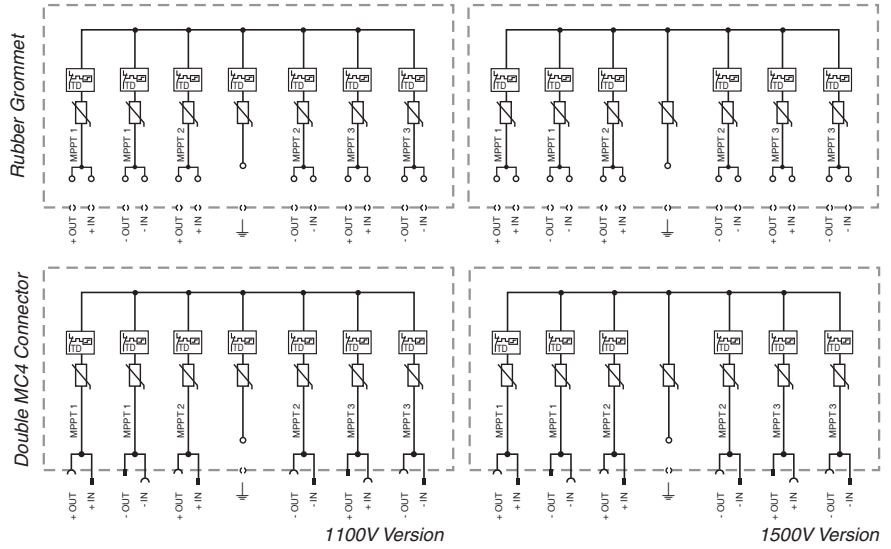
Technical Data

ProTec Box T1-xxxxPV-7Y(-S)(-RG)(-2MC4)		1100	1500
Electrical			
Maximum Continuous Operating Voltage (DC)	U_{OPV}	1100V	1500V
Nominal Discharge Current (8/20 μ s)	I_n	20 kA	20 kA
Total Discharge Current (8/20 μ s)	I_{total}	50 kA	50 kA
Maximum Discharge Current (8/20 μ s)	I_{max}	40 kA	50 kA
Impulse Discharge Current (10/350 μ s)	I_{imp}	6.25 kA	6.25 kA
Total Discharge Current (10/350 μ s)	I_{total}	12.5 kA	12.5 kA
Specific Energy	W/R	9.77 kJ/ Ω	9.77 kJ/ Ω
Charge	Q	3.125 As	3.125 As
Voltage Protection Level [Rubber Grommet]	U_p	4400V	5200V
Voltage Protection Level [Double MC Connector]	U_p	4400V	5200V
Rated Load Current [Rubber Grommet]	I_L	45 A	45 A
Response Time	t_A	< 25 ns	< 25 ns
Short Circuit Current Rating	I_{SCPV}	11 kA	30 kA
Number of Strings per MPPT			3
Mechanical & Environmental			
Temperature Range	T_a	-40 °F to +185 °F [-40 °C to +85 °C]	
Permissible Humidity	RH	5%...95%	
Altitude		13123 ft [4000m]	
Type of Cable Entry		Cable Gland / Rubber Grommet / MC4	
Wire Insulation Outer Diameter	(min)	.15" [4 mm] (stranded, flexible)	
	(max)	.31" [8mm] (stranded, flexible)	
Conductor Cross Section [Cable Gland]	(min)	24 AWG [0.2 mm ²] (stranded, flexible)	
	(max)	5 AWG [16 mm ²] (stranded, flexible)	
2 Conductors with Same Cross Section and Twin Ferrule [Rubber Grommet]	(min)	20 AWG [0.5 mm ²] (stranded, flexible)	
	(max)	9 AWG [6 mm ²] (stranded, flexible)	
Wire Insulation Outer Diameter [Double MC4 Connector]	(min)	.15" [4 mm] (stranded, flexible)	
	(max)	.31" [8mm] (stranded, flexible)	
Degree of Protection [Double MC4 Connector / Rubber Grommet]		IP 67/IP 65	
Thermal Protection		Yes	
Operating State / Fault Indication		Green Flag / Not Green Flag	
Housing Material		Polycarbonate with Semi-transparent	
Mounting		Wall - Indoor/Outdoor	

Internal Configuration

Legend

- +/-, -/+ Terminal for +/-, -/+ Conductor
- Terminal for PE/G Conductor
- TD Thermal Disconnect



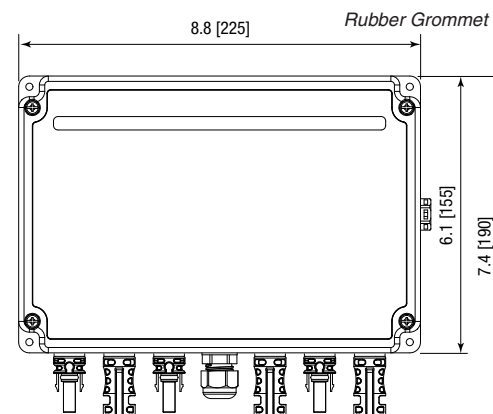
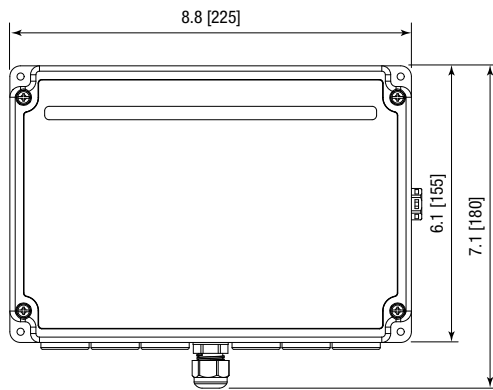
ProTec Box T1-xxxxPV-7Y(-S)(-RG)(-2MC4)

Order Information

Order Code	1100	1500
ProTec Box T1-xxxxPV-7Y-RG (Rubber Grommet)	515 863	-
ProTec Box T1-xxxxPV-7Y-S-RG (Rubber Grommet)	-	515 864
ProTec Box T1-xxxxPV-7Y-2MC4 (Double MC4 Connectors)	515 850	-
ProTec Box T1-xxxxPV-7Y-S-2MC4 (Double MC4 Connectors)	-	515 851

Abmessungen & Verpackung

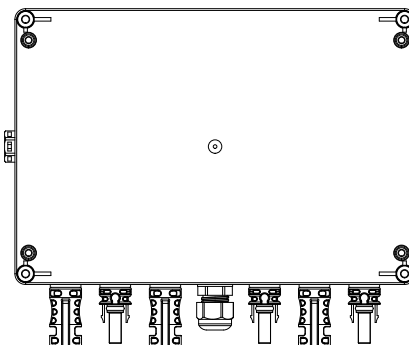
inches [mm]



MC4 Connectors - front

Complete Unit

ProTec Box T1-xxxxPV-7Y(-S)(-RG)	1100	1500	
Single Unit Weight	pounds [grams]	3.743 [1698]	4.361 [1978]
ProTec Box T1-xxxxPV-7Y(-S)(-2MC4)			
Single Unit Weight	pounds [grams]	3.699 [1678]	4.317 [1958]
Packaging Dimensions (H x W x L)	15.1 x 17.7 x 21.6" [385 x 450 x 550 mm]		
Minimum Package Quantity	1 Unit		



MC4 Connectors - back

