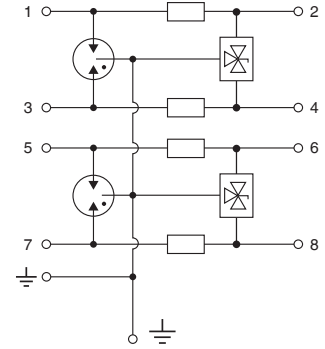


DATA SHEET

Modular SPD for Two Pair **RayDat SLH-4-110** D1 • C1 • C2 • C3



IEC/EN Category: D1/C1/C2/C3
 Surge Discharge Ratings: I_n : 10 kA, I_{max} : 20 kA, I_{imp} : 5 kA
 Voltages: 110V DC
 Frequency Range: 30 MHz
 Housing: Modular Design
 Compliance: IEC/EN 61643-21
 Configuration:



Technical Data

SLH-4-xxx

110

Electrical

| | | |
|---|---------------|------------------|
| Lines Protected | | 2 (4 Conductors) |
| Nominal Operating Voltage (DC) | U_n | 110V |
| Maximum Continuous Operating Voltage (DC) | U_c | 170V |
| Rated Load Current at 25°C | I_L | 1 A |
| C2 Nominal Discharge Current (8/20 μs) | I_n | 10 kA |
| Maximum Discharge Current (8/20 μs) | I_{max} | 20 kA |
| D1 Impulse Current (10/350 μs) | I_{imp} | 5 kA |
| Residual Voltage at 5 kA (8/20 μs) | U_{res} | < 450V |
| Rated Spark Overvoltage | (Line-Ground) | 184-264V |
| | (Line-Line) | 184-264V |
| Response Time Overvoltage Protection | t_A | < 1 ns |
| Thermal Protection | | Yes |
| Insulation Resistance of the Protection | R_{iso} | ≥ 170 MΩ |
| Serial Resistance per Path | R | 1.6-2.0 Ω |
| Transverse Capacitance | C | 50 pF |
| Cut-off Frequency | f_G | 30 MHz |

Mechanical

| | | |
|--|--|--|
| Temperature Range | | -40 °F to +176 °F [-40 °C to +80 °C] |
| Terminal Cross Section Multi-strand (max.) | | 12 AWG [4 mm ² , 2.5 mm ² Q Version] |
| Terminal Screw Torque | | 4.5 lbf-in [0.5 Nm] |
| Degree of Protection IEC/EN 60529 | | IP 20 (built-in) |
| Housing Material | | Thermoplastic; Grey; Extinguishing Degree V-0 |
| Mounting IEC/EN 60715 | | 35mm DIN Rail |

Order Information

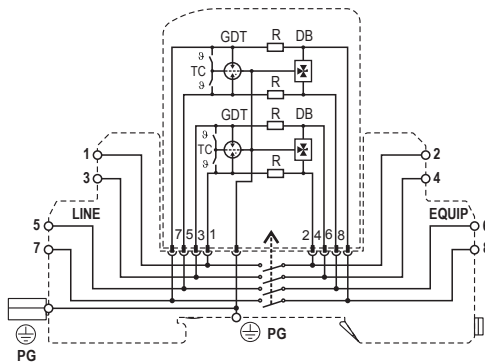
| | | |
|--------------------------------------|--|---------|
| Order Code | | 110 |
| SLH-4-xxx | | 7086.53 |
| SLH-4-xxxQ (Quick Connect Terminals) | | 7085.20 |
| SLH-4-xxxM (module) | | 7086.60 |

RayDat SLH-4-110

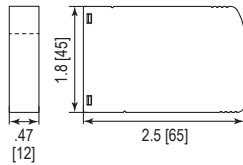
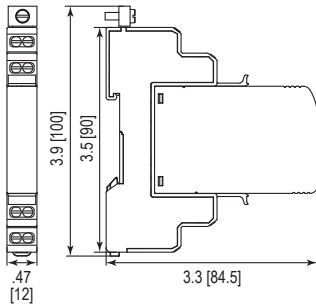
Internal Configuration

Legend

- DB Diode Block
- GDT Gas Discharge Tube
- PG Protective Grounding
- R Resistor
- TC Thermo-clip



Dimensions & Packaging



SLH-4-xxx

110

Dimensions

| | |
|------------------------------------|-----------------------------------|
| Weight per Unit | 2.32 oz [66 g] |
| Dimensions DIN 43880 | 2/3 TE |
| Packaging Dimensions (Single Unit) | 3.4 x .59 x 4" [87 x 15 x 102 mm] |
| Minimum Package Quantity | 15 pieces |

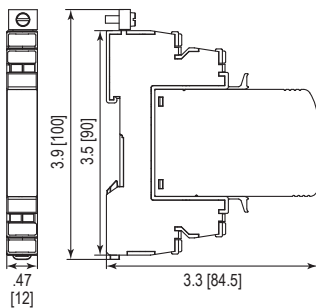
SLH-4-xxxM Series

110

Dimensions

| | |
|------------------------------------|-----------------------------------|
| Weight per Unit | 1.05 oz [30 g] |
| Packaging Dimensions (Single Unit) | 3.4 x .59 x 4" [87 x 15 x 102 mm] |
| Minimum Package Quantity | 15 pieces |

Quick Connect Terminals



SLH-4-xxxQ Series

110

Dimensions

| | |
|------------------------------------|-----------------------------------|
| Weight per Unit | 2.32 oz [66 g] |
| Dimensions DIN 43880 | 2/3 TE |
| Packaging Dimensions (Single Unit) | 3.4 x .59 x 4" [87 x 15 x 102 mm] |
| Minimum Package Quantity | 15 pieces |

inches
[mm]

Information contained in this document is subject to change at any time without notice.

