

DATA SHEET

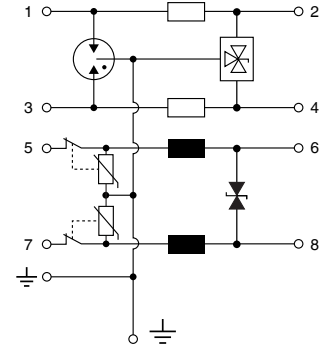
SPD for DC Power Supply & Data

RayDat SUH-2 PS

D1 • C1 • C2 • C3



IEC/EN Category: D1/C1/C2/C3
 Surge Discharge Ratings: I_n : 10 kA, I_{max} : 20 kA, I_{imp} : 2.5 kA
 Voltages: 24 V DC (Data Line)
 24 V AC (Power Line)
 Frequency Range: 30 MHz
 Housing: Modular Design
 Compliance: IEC/EN 61643-21
 Configuration:



Technical Data

SUH-2 PS

Data Line

Power Supply Line

Electrical

		2 (1 Data Line + 1 Power Supply Line)	
Lines Protected		2 (1 Data Line + 1 Power Supply Line)	
Nominal Operating Voltage (DC)	U_n	24V	24V AC/30V DC
Maximum Continuous Operating Voltage (DC)	U_c	28V	28V AC/40V DC
Rated Load Current at 25°C	I_L	1 A	3 A
C2 Nominal Discharge Current (8/20 μs)	I_n		10 kA
Maximum Discharge Current (8/20 μs)	I_{max}		20 kA
D1 Impulse Current (10/350 μs)	I_{imp}	2.5 kA	-
Residual Voltage at 5 kA (8/20 μs)	U_{res}	< 70V	< 100V
Rated Spark Overvoltage	(Line-Ground)	31-37V	90-110V
	(Line-Line)	31-37V	42-52V
Response Time Overvoltage Protection	t_A		< 1 ns
Insulation Resistance of the Protection	R_{iso}	$\geq 28 M\Omega$	$\geq 40 M\Omega$
Serial Resistance per Path	R	1.6-2.0 Ω	< 0.2 Ω
Serial Inductivity	L		15 μH
Transverse Capacitance	C	50 pF	6.0 nF
Cut-off Frequency	f_G	30 MHz	1 kHz

Mechanical

Temperature Range	-40 °F to +176 °F [-40 °C to +80 °C]
Terminal Cross Section Multi-strand (max.)	12 AWG [4 mm ²]
Terminal Screw Torque	4.5 lbf-in [0.5 Nm]
Degree of Protection IEC/EN 60529	IP 20 (built-in)
Housing Material	Thermoplastic; Grey; Extinguishing Degree V-0
Mounting IEC/EN 60715	35mm DIN Rail

Order Information

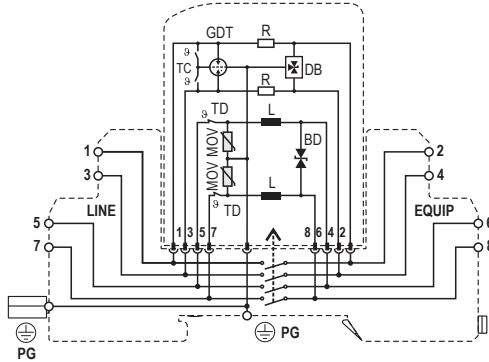
Order Code	24
SUH-2-xxPS	7086.81
SUH-2-xxPSM (module)	7086.82

RayDat SUH-2 PS

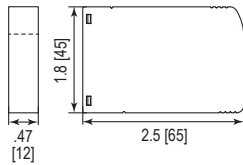
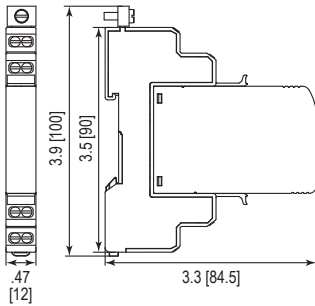
Internal Configuration

Legend

- BD Bi-directional TVS Diode
- DB Diode Block
- GDT Gas Discharge Tube
- L Inductor
- MOV Metal Oxide Varistor
- PG Protective Grounding
- R Resistor
- TC Thermo-clip
- TD Thermal Disconnecter



Dimensions & Packaging



SUH-2-xxPS

24

Dimensions

Weight per Unit	2.53 oz [72 g]
Dimensions DIN 43880	2/3 TE
Packaging Dimensions (Single Unit)	3.4 x .59 x 4" [87 x 15 x 102 mm]
Minimum Package Quantity	15 pieces

SUH-2-xxPSM

24

Dimensions

Weight per Unit	1.19 oz [34 g]
Packaging Dimensions (Single Unit)	3.4 x .59 x 4" [87 x 15 x 102 mm]
Minimum Package Quantity	15 pieces

inches
[mm]

Information contained in this document is subject to change at any time without notice.

