

**ProTube T1 0+1 LH**

**Class I • Class II • Type 1 • Type 2**



Location of Use: Main Distribution Boards  
 Network Systems: TT, TN-S  
 Mode of Protection: N-PE  
 IEC/EN Category: Class I+II / Type 1+2  
 Housing: Pluggable Design  
 Compliance: IEC 61643-11:2011  
 EN 61643-11:2012+A11:2018

**Technical Data**

**ProTube T1-xxx-0+1-LH(-R)**

**50**

**IEC Electrical**

Maximum Continuous Operating Voltage	$U_c$	305 V
Nominal Discharge Current (8/20 $\mu$ s)	$I_n$	50 kA
Maximum Discharge Current (8/20 $\mu$ s)	$I_{max}$	100 kA
Impulse Discharge Current (10/350 $\mu$ s)	$I_{imp}$	50 kA
Specific Energy	W/R	625 kJ/ $\Omega$
Charge	Q	25 As
Voltage Protection Level	$U_p$	1500 V
Follow Current Interrupt Rating (AC)	$I_{fi}$	100 A
Response Time	$t_A$	< 100 ns
TOV Withstand 200ms	$U_T$	1200 V
Number of Ports		1

**Additional Electrical Parameters** (Tests performed within Raycap testing laboratory only)

Residual Voltage at 5 kA (8/20 $\mu$ s)	$U_{res}$	305 V
---	-----------	-------

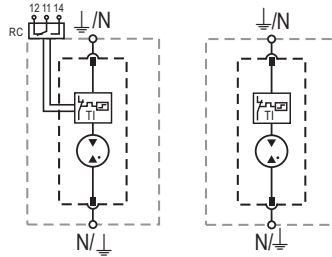
**Mechanical & Environmental**

Operating Temperature Range	$T_a$	-40 °F to +185 °F [-40 °C to +85 °C]
Permissible Operating Humidity	RH	5%...95%
Altitude (max)		13123 ft [4000 m]
Terminal Screw Torque	$M_{max}$	40 lbf-in [4.5 Nm]
Conductor Cross Section (max)		2 AWG (Solid, Stranded) / 4 AWG (Flexible) 35 mm <sup>2</sup> (Solid, Stranded) / 25 mm <sup>2</sup> (Flexible)
Mounting		35 mm DIN Rail, EN 60715
Degree of Protection		IP 20 (built-in)
Housing Material		Thermoplastic: Extinguishing Degree UL 94 V-0
Thermal Protection		Yes
Operating State / Fault Indication		Green Flag / Not Green Flag
Remote Contacts (RC)		Optional
RC Switching Capacity		AC: 250V/1A, 125V/1A; DC: 48V/0.5A, 24V/0.5A, 12V/0.5A
RC Conductor Cross Section (max)		16 AWG (Solid) / 1.5 mm <sup>2</sup> (Solid)

## Internal Configuration

### Legend

- N Neutral Conductor Terminal
- ⊥ PE/G Conductor Terminal
- RC Remote Contacts Terminal (Optional)
- T1 Thermal Indication



### ProTube T1-xxx-0+1-LH(-R)

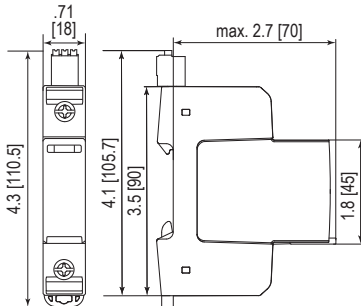
#### Order Information

Order Code	50
ProTube T1-xxx-0+1-LH	59.A384
ProTube T1-xxx-0+1-LH-R*	59.A761
ProTube T1-50-LH-P (plug)	59.A385

\*No VDE Certification.

## Dimensions & Packaging

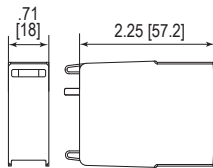
inches [mm]



#### Complete Unit

ProTube T1-xxx-0+1-LH		50
Weight	pounds	.268
	grams	122
ProTube T1-xxx-0+1-LH-R*		50
Weight	pounds	.276
	grams	125
DIN 43880 Dimension	1 TE / .71" [18]	
Packaging Dimensions (HxWxL)	4.3 x 4.5 x 13.8" [109 x 115 x 352 mm]	
Standard Order Quantity	12 Units	

## Spare Plug



#### Single Unit

ProTube T1-xxx-LH-P		50
Weight	pounds	.112
	grams	51
DIN 43880 Dimension	1 TE / .71" [18]	
Packaging Dimensions (HxWxL)	4.3 x 4.5 x 13.8" [109 x 116 x 352 mm]	
Standard Order Quantity	24 Units	

Information contained in this document is subject to change at any time without notice.



# Raycap

www.raycap.com

© 2023 Raycap All rights reserved.  
G29-01-040 23119